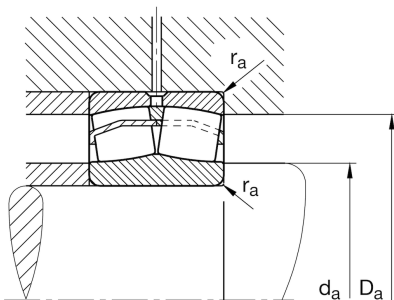
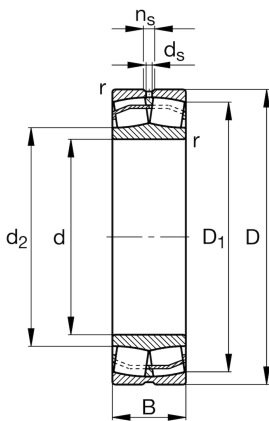


## Technical information



## 21311-E1-XL

### Spherical roller bearing

Schaeffler ID:  
0190146270000

Spherical roller bearings 213...-E1, main  
dimensions to DIN 635-2

### Main Dimensions & Performance Data

d	55 mm	Bore diameter
D	120 mm	Outside diameter
B	29 mm	Width
$C_r$	160,000 N	Basic dynamic load rating, radial
$C_{0r}$	155,000 N	Basic static load rating, radial
$C_{ur}$	20,700 N	Fatigue load limit, radial
$n_G$	8,100 1/min	Limiting speed
$n_{gr}$	5,100 1/min	Reference speed
	1.62 kg	Weight

### Dimensions

$r_{min}$	2 mm	Minimum chamfer dimension
$D_1$	98.3 mm	Bore diameter outer ring
$d_2$	71.6 mm	Raceway diameter of the inner ring
$d_s$	3.2 mm	Diameter lubrication hole
$n_s$	6.5 mm	Width of lubricating groove

### Mounting dimensions

$d_{a min}$	66 mm	Minimum diameter shaft shoulder
$D_{a max}$	109 mm	Maximum diameter of housing shoulder
$r_{a max}$	2 mm	Maximum recess radius

### Additional information

e	0.23	Limiting value of $F_a/F_r$ for the applicability of diff. Values of factors X and Y
$Y_1$	2.98	Dynamic axial load factor
$Y_2$	4.44	Dynamic axial load factor
$Y_0$	2.92	Static axial load factor

**Temperature range**

T <sub>min</sub>	-30 °C	Operating temperature min.
T <sub>max</sub>	200 °C	Operating temperature max.